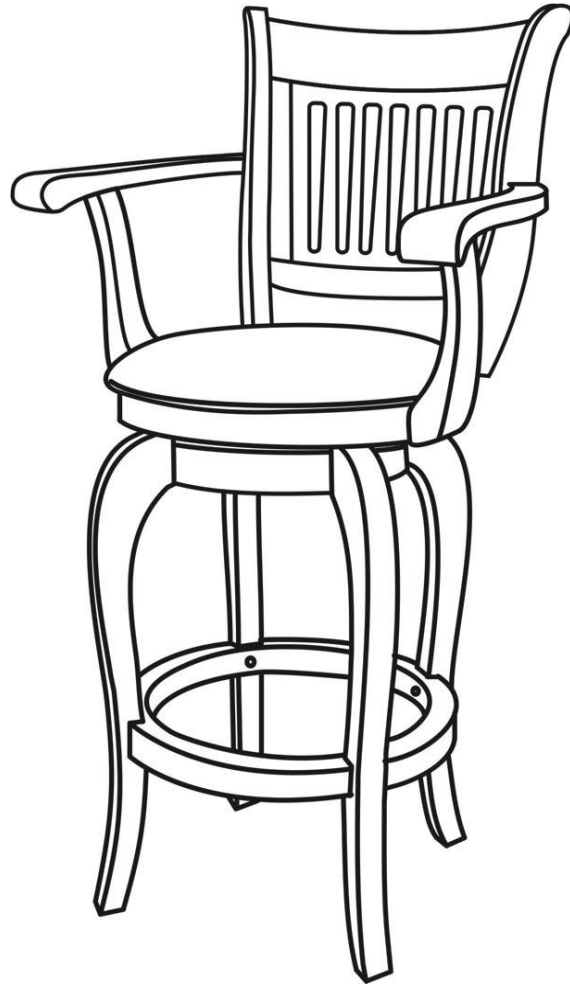




# Assembly Instructions

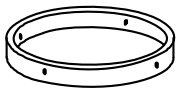
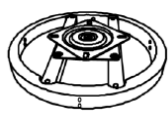



Caution : You must read this before you proceed

## Bar Stool/Counter Stool









## Parts List

Label	Picture	Description	QTY
A		Backrest	1 Pc
B		Wood Leg	4 Pcs

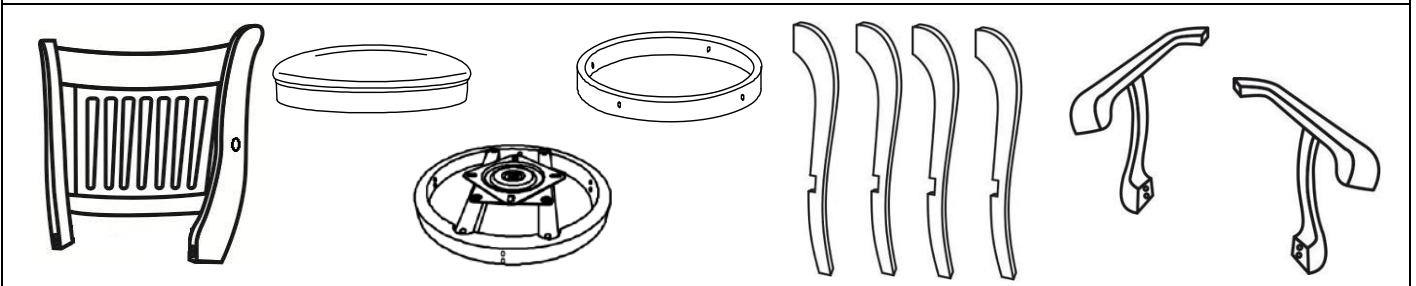
C		Leg Frame	1 Pc
D		Swivel Plate	1 Pc
E		Seat	1 Pc
F		Right Wooden Arm	1 Pc
G		Left Wooden Arm	1 Pc

## Hardware

Label	Picture	Description	QTY
①		Bolt : M6 x 40mm	22 Pcs
②		Bolt : M6 x 25mm	4 Pcs
③		Spring Washer M6 x 13mm	22 Pcs
④		Flat Washer M6 x 13mm	14 Pcs
⑤		Flat Washer M6 x 16mm	12 Pcs
⑥		Allen Key	1 Pc

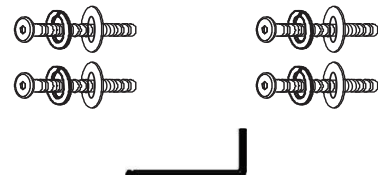
## Assembly Preparation

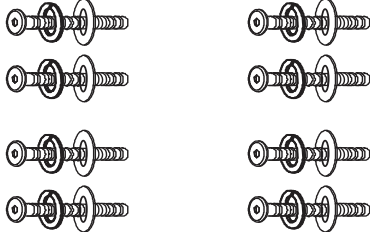
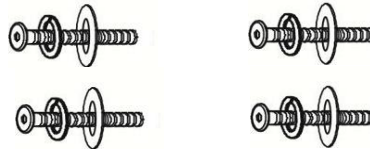
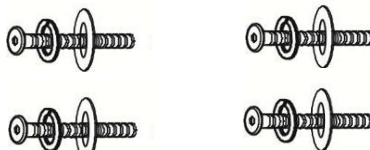

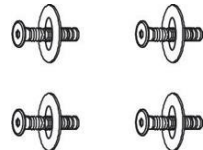
Before Beginning Assembly :



**Pack A** - for assembling the Wood Leg (B) to the Leg Frame (C)

4 Bolt M6 x 40mm  
 4 Spring Washer M6 x 13mm  
 4 Flat Washer M6 x 13mm  
 1 Allen Key



<b>Pack B</b> - for assembling the Wood Leg (B) to the Swivel Plate (D)	8 Bolt M6 x 40mm 8 Spring Washer M6 x 13mm 8 Flat Washer M6 x 13mm	
<b>Pack C</b> - for assembling the Backrest (A) to the Seat (E)	4 Bolt M6 x 40mm 4 Spring Washer M6 x 13mm 4 Flat Washer M6 x 16mm	
<b>Pack D</b> - for assembling the Wooden Arm (F) & (G) to Seat (E)	4 Bolt M6 x 40mm 4 Spring Washer M6 x 13mm 4 Flat Washer M6 x 16mm	
<b>Pack E</b> - for assembling the Wooden Arm (F) & (G) to Backrest (A)	2 Bolt M6 x 40mm 2 Spring Washer M6 x 13mm 2 Flat Washer M6 x 13mm	
<b>Pack F</b> - for assembling the Swivel Plate (D) to the Seat (E)	4 Bolt M6 x 25mm 4 Flat Washer M6 x 16mm	



- Read instructions, cover to cover-



- Have 2 adults on hand for assembly-



- Do not assemble on flooring or carpet-



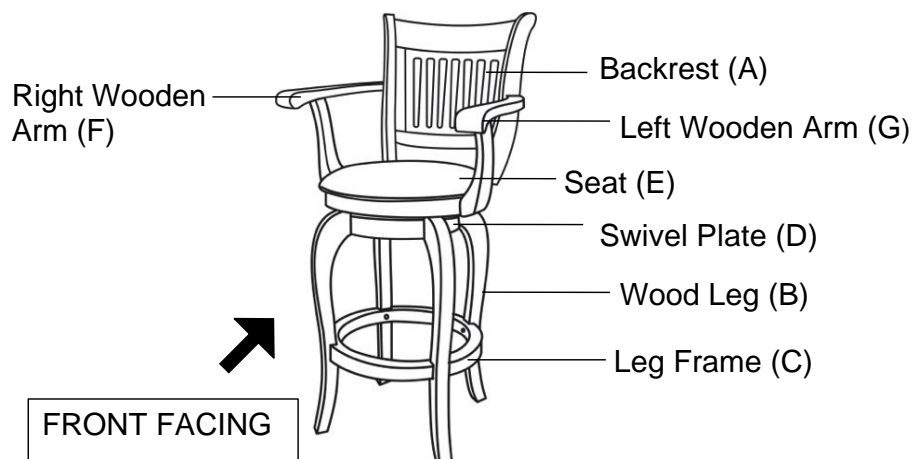
- Assemble on a clean non-marring surface (packing foam)-



- Save all packaging until finished-

## Assembly Steps

### Overview

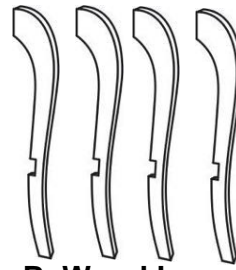


This Bar Stool/Counter Stool has multiple parts and may require up to 30 minutes to assemble. To give you an overview of the Bar Stool/Counter Stool parts, the above picture is to help you put the various Bar Stool/Counter Stool parts into perspective. Please read through the instructions to familiarise yourself with the parts and steps before assembly.

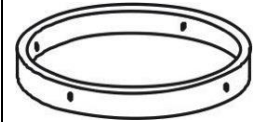
**Step 1**



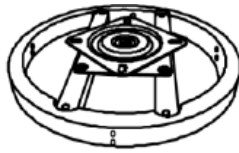
**A. Backrest**



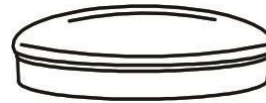
**B. Wood Legs**



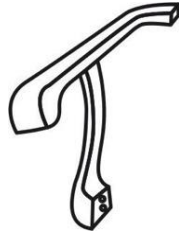
**C. Leg Frame**



**D. Swivel Plate**



**E. Seat**



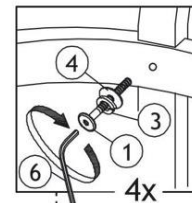
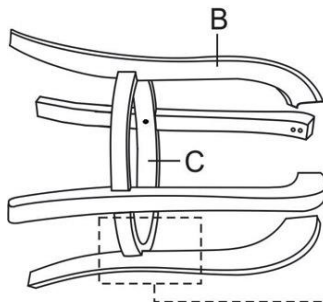
**F. Right Wooden Arm**



**G. Left Wooden Arm**

Place the Backrest (A) and Wood Legs (B), Leg Frame (C), Swivel Plate (D), Seat (E), Right Wooden Arm (F) & Left Wooden Arm (G) on a soft surface to avoid any scratches or damages to the product and take out all the hardware.

**Step 2**



**PACK A**

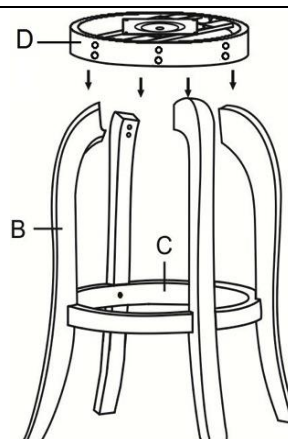
Place the Wood Leg (B) and Leg Frame (C) on a clean, non-marring surface. Take one Wood Leg (B) and Leg Frame (C) align to the mounting position, use the Bolt ①, Spring Washer ③ Flat Washer ④, Allen Key ⑥ by using Hardware Pack A. Repeat the same process with the remaining legs.

At this stage, **DO NOT FULLY TIGHTEN BOLTS.**

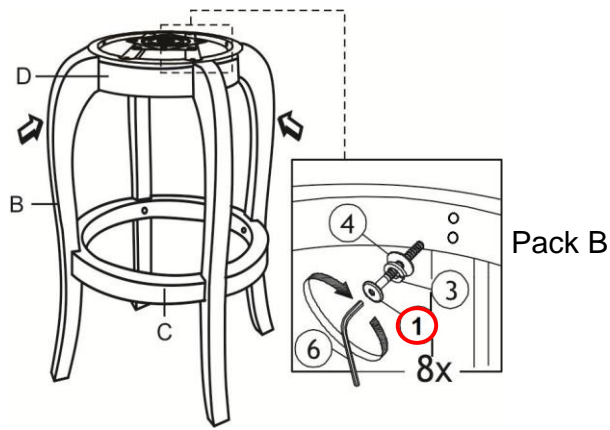
**WARNING !! DO NOT FULLY TIGHTEN BOLTS OVER TIGHTEN COULD LEAD TO DAMAGE OF THE PRODUCT TIGHTEN ONLY UNTIL SECURE AND STABLE.**

**Step 3**

**3.1**



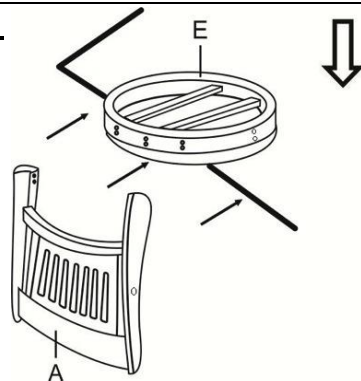
**3.2**



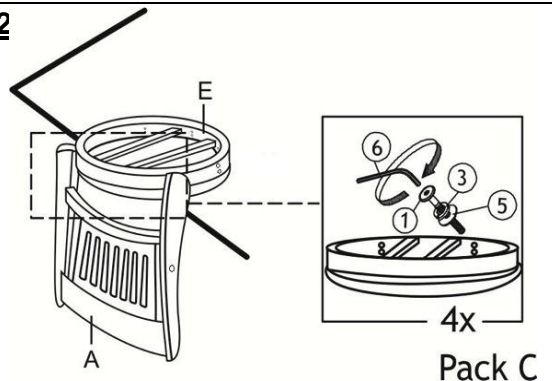
**3.1** Position the assembled component upright.  
Align the mounting position of Wooden Leg (B) and Swivel Plate (D).  
**3.2** Then, affix the Wooden Leg (B) and Swivel Plate (D) with Bolt ①, Spring Washer ③, Flat Washer④, and Allen Key ⑥ by using Hardware Pack B.  
Repeat the same process with the remaining legs.  
At this stage, **DO NOT FULLY TIGHTEN BOLTS.**

**Step 4**

**4.1**



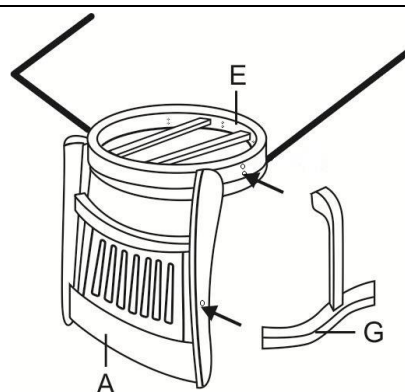
**4.2**



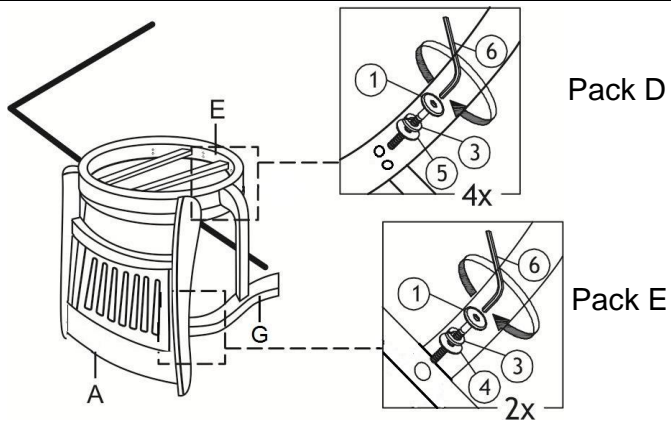
**4.1** Place the Seat (E) upside down on a table edge.  
**4.2** Align the mounting position of the Seat (E) with the Backrest (A) with Bolt ① •, Spring Washer ③, Flat Washer ⑤ and Allen Key ⑥ by using Hardware Pack C.  
Partially drive in all the Bolts in this part of assembly.  
Once all Bolts in position, turn in these Bolts.  
At this stage, **DO NOT FULLY TIGHTEN BOLTS.**

**Step 5**

**5.1**



**5.2**



**5.1** Place the Seat (E) upside down on table edge

**5.2** Align the mounting position of the Seat (E) with Wooden Armrest (G) with Bolt ① ; Spring Washer ③ Flat Washer ⑤ Allen Key ⑥ by using Hardware Pack D.

Then, align the mounting position of the Backrest (A) with Wooden Armrest (G) with Bolt ① ; Spring Washer ③ , Flat Washer ④, Allen Key ⑥ by using Hardware Pack E.

Partially drive in all the Bolts in this part of assembly.

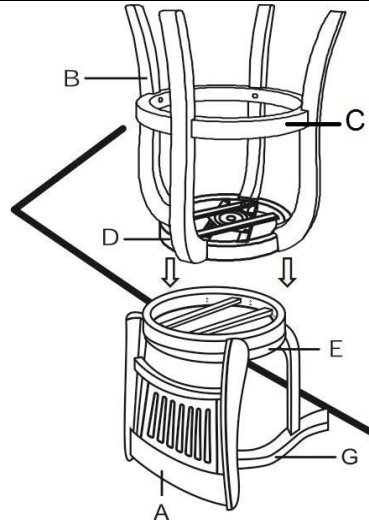
Once all Bolts in position, turn in these Bolts.

At this stage, **DO NOT FULLY TIGHTEN BOLTS.**

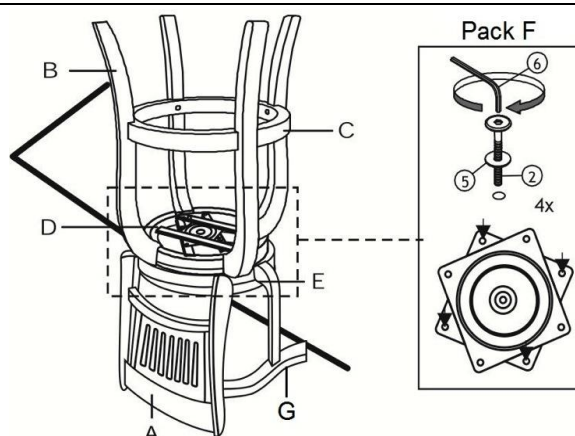
Repeat the remaining process with remaining Wooden Armrest (F)

**Step 6**

**6.1**



**6.2**



**6.1** Keep the Bar Stool/Counter Stool still turned upside down (legs facing skywards) on the Table. Place the assembled Swivel Plate (D) upside down to the seat frame as shown above. Turn the Swivel Plate (D) to 45° degree position as shown above.

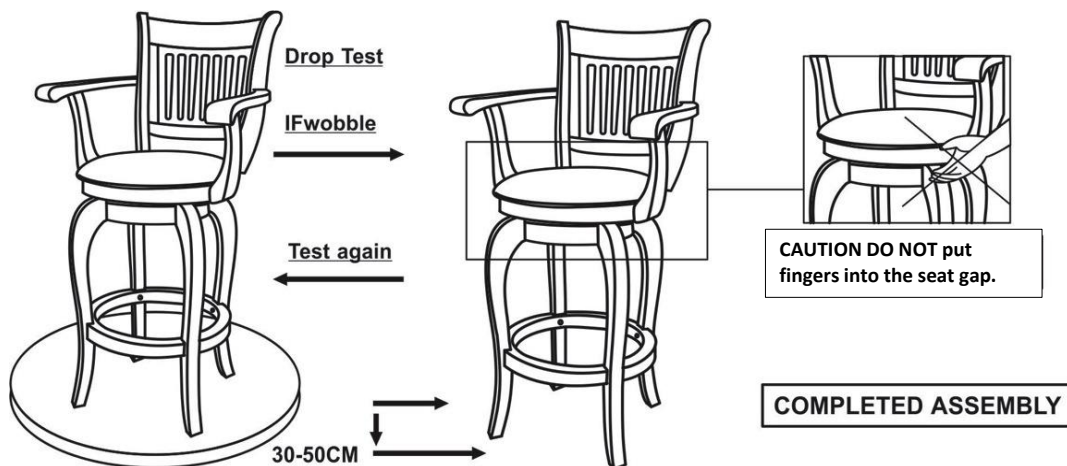
**6.2** Align the mounting position of the Swivel Plate (D) and Seat (E) with Bolt ②, Flat Washer ⑤ and Allen Key ⑥ by using Hardware Pack F.

Partially drive in these four Bolts into the Swivel Plate (D)

Turn in all Bolts.

At this stage, **DO NOT FULLY TIGHTEN BOLTS.**

### **Step 7**



Ensure that all the Bolts are fully driven in and locked in.

Turn this Bar Stool/ Counter Stool right way up and ensure this Bar Stool/Counter Stool is stable.

Place the Bar Stool/Counter Stool on a level Surface to check if it wobbles.

If it is wobbles, lift the Bar Stool/Counter Stool some 30cm to 50 cm high from the ground, keep your feet and toes well away from the drop zone.

Drop the Bar Stool/Counter Stool freely and vertically with the four legs, hitting the ground at the same time.

This **Drop Test** will help to ensure that all the Bolts and gaps to all reach full alignment status.

Test again for evenness on a **Level Surface**.

If no wobbles are found, proceed to tighten all the Bolts.

**Caution: When tightening the Bolts, tighten sequentially.**

**Do not fully tighten any screw and then towards the next one.**

**This may cause the frame to warp.**

**If there is still wobbles, loosen the bolts and execute this same drop test.**

**WARNING !! DO NOT FULLY TIGHTEN BOLTS.**

**OVER TIGHTENING COULD LEAD TO DAMAGE OF THE PRODUCT.**

**TIGHTEN ONLY UNTIL SECURE AND STABLE.**

### **Step 8**





















The Bar Stool/Counter Stool now is ready for use.

After a period of use, you may find the Bar Stool/Counter Stool joints, may become loose.

Get the Allen Key and tighten up all Bolts.

This Bar Stool/Counter Stool can only be used on a flat, level surface.

## Care & Maintenance

-   ● Do not put hot items directly on furniture surface
  -   ● Do not clean furniture with harsh cleansers or polish.
  -   ● To obtain the longest lifespan of your outdoor products, minimizing exposure to direct sunlight is recommended.
  -   ● Children should not climb or jump on the furniture.
  -   ● Do not write on furniture without a padded barrier to protect the surface.
  -   ● To obtain the longest lifespan of your outdoor products, avoid extended and lengthy exposure to rain, snow, and direct sunshine. Whenever possible cover the product and /or place under patio or awnings.
  -   ● Not for commercial use. For residential use only .
  -   ● Stains may be removed with mild soap solution and damp cloth.
- 
-   ● Dust and pick-up spills using a clean, non-colored, lint-free cloth .

### Questions & Answers about Proposition 65

#### • What is Proposition 65?

Proposition 65 requires businesses to provide warnings to Californians about significant exposures to chemicals that cause cancer, birth defects or other reproductive harm. These chemicals can be in the products that Californians purchase, in their homes or workplaces, or that are released into the environment. By requiring that this information be provided, Proposition 65 enables Californians to make informed decisions about their exposures to these chemicals.

Proposition 65 also prohibits California businesses from knowingly discharging significant amounts of listed chemicals into sources of drinking water.

Proposition 65 requires California to publish a list of chemicals known to cause cancer, birth defects or other reproductive harm. This list, which must be updated at least once a year, has grown to include approximately 900 chemicals since it was first published in 1987.

#### • What types of chemicals are on the Proposition 65 list?

The list contains a wide range of naturally occurring and synthetic chemicals that include additives or ingredients in pesticides, common household products, food, drugs, dyes, or solvents. Listed chemicals may also be used in manufacturing and construction, or they may be byproducts of chemical processes, such as motor vehicle exhaust.

#### • What does a warning mean?

If a warning is placed on a product label or posted or distributed at a workplace, a business, or in rental housing, the business issuing the warning is aware or believes that it is exposing individuals to one or more listed chemicals.

By law, a warning must be given for listed chemicals unless the exposure is low enough to pose no significant risk of cancer or is significantly below levels observed to cause birth defects or other reproductive harm.

#### • Where can I get more information on Proposition 65?

If you have specific questions on the administration or implementation of Proposition 65, you can contact OEHHA's Proposition 65 program at [P65.Questions@oehha.ca.gov](mailto:P65.Questions@oehha.ca.gov), or by phone at (916) 445-6900.